

CCS2 charging cables





CCS2 charging connector – compact

Reliable DC fast charging in a compact format

The Bals CCS2 charging connector - compact is designed for reliable DC charging applications up to 80 A. Its compact, lightweight construction makes it ideal for residential, fleet and semi-public charging infrastructure where space efficiency, safety and long-term reliability are essential.

With integrated Pt1000 temperature monitoring, robust silver-plated contacts and control wires for precise 4-wire energy measurement, the connector provides a technically advanced solution for modern EVSE applications.

Key Benefits

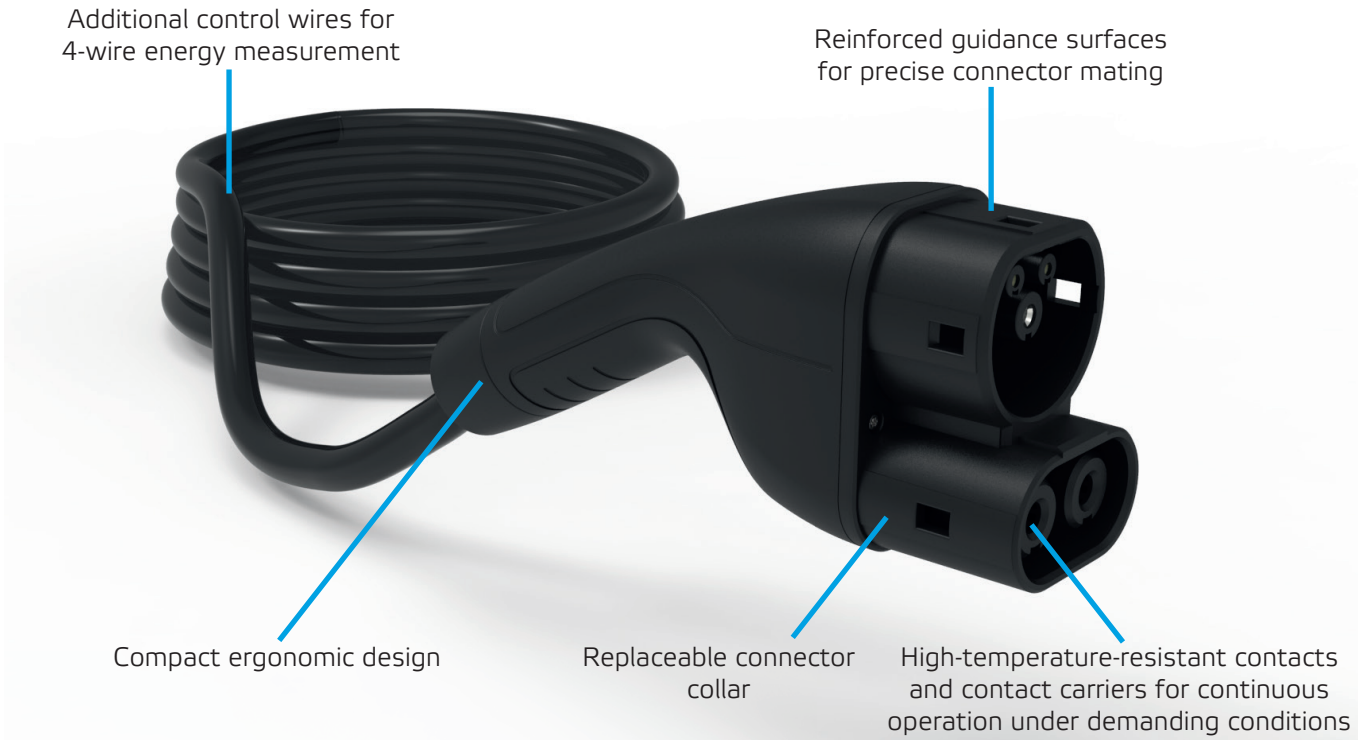
- compact and lightweight design for flexible installation concepts
- reliable DC charging performance up to 80 A
- integrated temperature monitoring for enhanced safety
- silver-plated contacts for high conductivity and durability
- precise 4-wire energy measurement
- replaceable connector collar for easy maintenance
- reinforced guidance surfaces on the collar (no locking issues on lateral cable forces)

Typical Applications

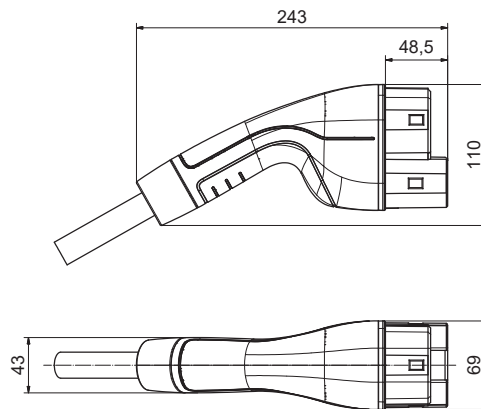
- residential charging stations
- apartment complexes
- supermarket and retail parking areas
- fleet charging stations
- semi-public charging infrastructure

The Bals CCS2 charging connector - compact delivers reliable DC charging performance in a compact, service-friendly design – engineered for the requirements of modern charging infrastructure.

CCS2 compact - charging cables



- rated voltage: 1000 V DC
- protection rating: IP55
- with temperature sensors
- with silver-plated contacts
- open cable end or customized cable configurations available on Request
- colour: black
- with replaceable connector collar
- IEC 62196-1 and IEC 62196-3, configuration FF approved



Rated Current	Rated Voltage	Poles	Cable	Order No.
40 A	1000V DC 30V (signal or control contacts)	3P (DC+/DC-/PE) 2P (CP/PP)	3G6+2x3x0,75	E-2940-XXX*
80 A	1000V DC 30V (signal or control contacts)	3P (DC+/DC-/PE) 2P (CP/PP)	3G16+2x0,75+2x3x0,5	E-2980-XXX*

*: "XXX" indicates the required cable length and is replaced accordingly when ordering.



CCS2 charging connector - performance

Scalable DC fast charging from 80 A to 250 A

The Bals CCS2 charging connector - performance is designed for reliable DC fast charging applications across a wide range of power levels. With five current ratings from 80 A to 250 A, it offers a flexible connector solution for residential, semi-public, commercial and High Power Charging infrastructure.

With integrated Pt1000 temperature monitoring, robust silver-plated contacts and control wires for precise 4-wire energy measurement, the connector provides a durable and technically advanced solution for modern EVSE applications.

Key Benefits

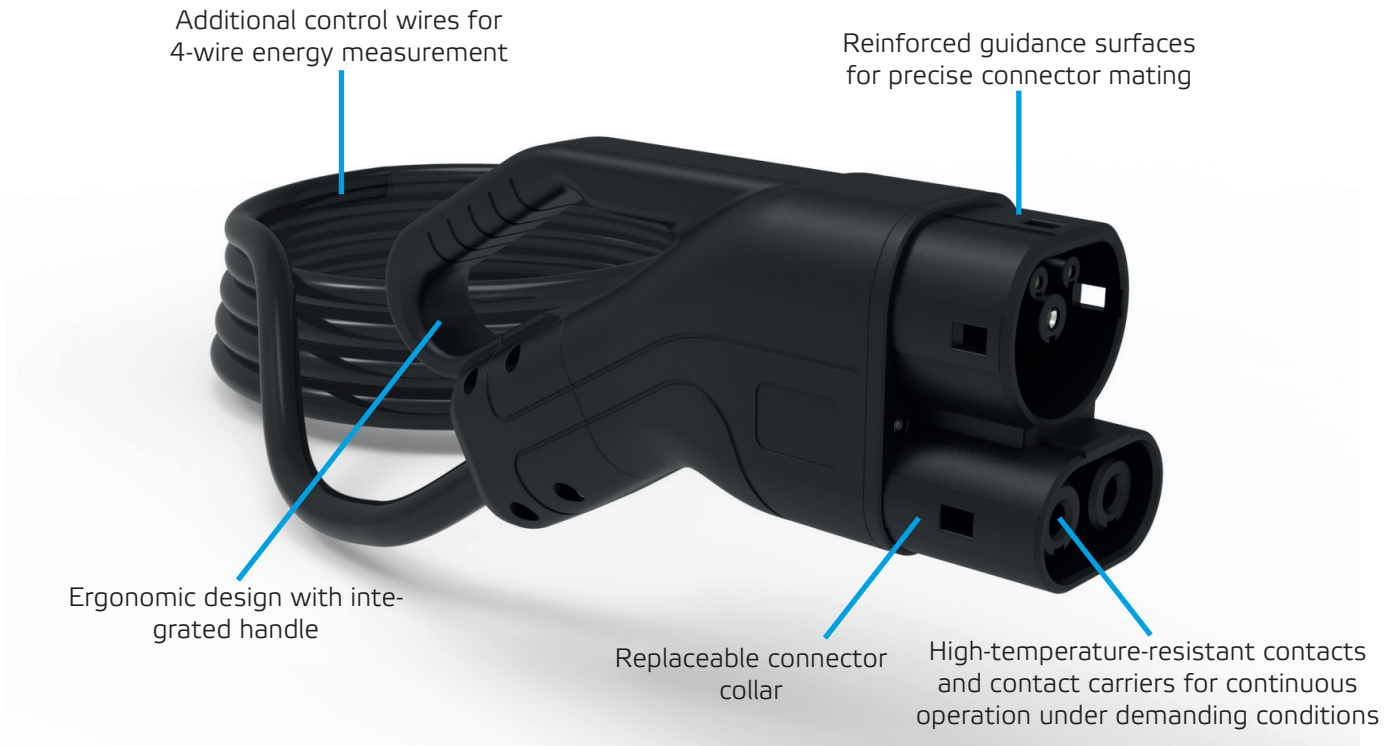
- scalable DC charging performance from 80 A to 250 A
- five current ratings for flexible application coverage
- integrated temperature monitoring for enhanced operational safety
- silver-plated contacts for high conductivity and long-term reliability
- precise 4-wire energy measurement
- robust design for demanding charging infrastructure
- replaceable connector collar for easy maintenance
- reinforced guidance surfaces on the collar (no locking issues on lateral cable forces)

Typical Applications

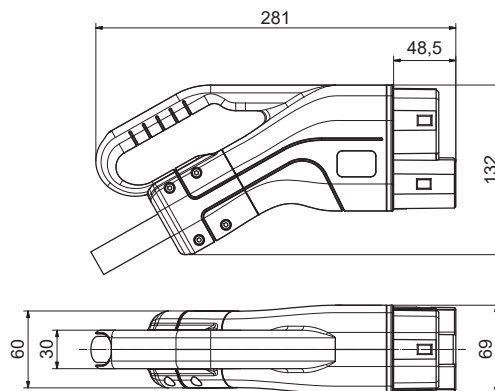
- residential and semi-public charging stations
- apartment complexes and commercial parking facilities
- fleet charging stations and fleet depots
- charging parks and motorway service areas
- high Power Charging applications and charging hubs

The Bals CCS2 charging connector - performance delivers scalable DC fast charging for charging infrastructure of any size — combining flexibility, safety and robust engineering in one reliable connector solution.

CCS2 performance - charging cables



- rated voltage: 1000 V DC
- protection rating: IP55
- with temperature sensors
- with silver-plated contacts
- open cable end or customized cable configurations available on request
- colour: black
- with replaceable connector collar
- IEC 62196-1 and IEC 62196-3, configuration FF approved



Rated Current	Rated Voltage	Poles	Cable	Order No.
80A	1000V DC 30V (signal or control contacts)	3P (DC+/DC-/PE) 2P (CP/PP)	3G16+2x0,75+2x3x0,5	E-3080-XXX*
125A	1000V DC 30V (signal or control contacts)	3P (DC+/DC-/PE) 2P (CP/PP)	2x35+1x16+2x0,75+3x2x0,5	E-30125-XXX*
150A	1000V DC 30V (signal or control contacts)	3P (DC+/DC-/PE) 2P (CP/PP)	2x35+1x16+2x0,75+3x2x0,5	E-30150-XXX*
200A	1000V DC 30V (signal or control contacts)	3P (DC+/DC-/PE) 2P (CP/PP)	2x50+1G25+2x0,75+3x2x0,5	E-30200-XXX*
250A	1000V DC 30V (signal or control contacts)	3P (DC+/DC-/PE) 2P (CP/PP)	2x70+1G25+2x0,75+3x2x0,5	E-30250-XXX*

*: "XXX" indicates the required cable length and is replaced accordingly when ordering.

Accessories

Charging connector holder "parking position"

- for CCS2 Charging Connectors
- secure storage of the charging connector when not in use
- one-hand operation without buttons
- protection against mechanical damage and environmental influences
- robust housing, black (similar to RAL 9005)
- compact dimensions (W × H × D): 85 × 129 × 53.8 mm

Order No. **E-999**



Replacement connector collar

- for CCS2 charging connectors

Order No. **E-600012**





Our strengths in eMobility

Bals combines more than 25 years of eMobility experience with over 60 years of expertise in safe connection technology. The result: reliable, high-quality EVSE components for demanding charging infrastructure — engineered and manufactured to Bals standards “Made in Germany”.

- expertise & innovation
proven know-how in connection technology, continuous product development and application-oriented engineering.
- performance & quality
robust, high-performance solutions with premium quality standards and regular testing in internal and external laboratories.
- manufacturing excellence
advanced production, strong vertical integration and efficient manufacturing processes for consistently reliable products

made
in
Germany



Simply. Well. Connected.

Bals Elektrotechnik GmbH & Co. KG
D-57399 Kirchhundem-Albaum
Phone: +49 27 23/771-0
Fax: +49 27 23/771-177/178
E-mail: info@bals.com
Internet: www.emobile-bals.com

Subject to technical modifications and typographical errors